

VISIT SITE NOW >>

Electric Excavator Pump Attachment 4-inch (EXFE-4000)

| MODEL # | |
|-----------|--|
| EXFE-4000 | |

| OPERATING LEVELS | |
|-------------------|---------------------|
| Min Flow | 250 GPM |
| Max Flow | 1200 GPM |
| Head Range | Up to 200 ft |
| Discharge Size | 4 inch |
| Suction Size | 6 inch |
| Solids Handling | Solids up to 3 inch |
| Max Speed | 1800 RPM |
| Percent Solids | Up to 40-70% Solids |
| CU YD Material HR | 75-150 |

| RECOMMENDED SENSORS | |
|---|--|
| Wireless Doppler Flow Meter | |
| RTK/GPS System for precision real-time dredging | |

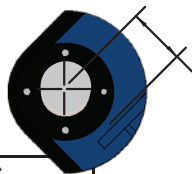


*Typical Deployment Photo. Dredge pumps can be deployed vertically or horizontally. Photos for general guidance. Contact us for further details.

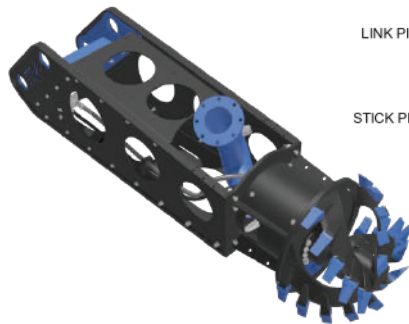
| REQUIRED EQUIPMENT TO OPERATE ATTACHMENT |
|---|
| Cutterhead circuit requirements from excavator auxiliary power or from hydraulic power unit 12-18 GPM at 4250 psi (1340 cc motor) |
| 4-inch DAE Slurry hose |
| Generator and VFD to power 100-HP motor |

MAXIMUM LINKAGE CROSS SECTION

[114mm]
4.5in



| STANDARD SIZING | |
|-----------------|----------|
| PART # | SIZE |
| 01425 | Ø 80 MM |
| 12877 | Ø 90 MM |
| 06661 | Ø 100 MM |
| 01042 | Ø 110 MM |

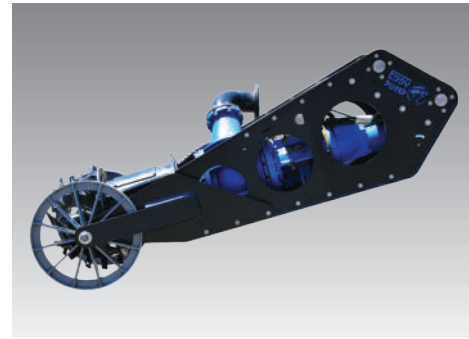
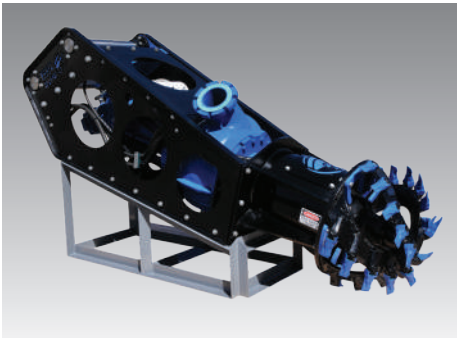


*CUSTOM SIZES AVAILABLE UPON REQUEST

(EXFE-4000 Frame, Elbow Discharge, Cutterhead ONLY No Pump)

We pump up to 70% solids, not water.

VISIT SITE NOW >>



EDDY Pump Electric Excavator Pump Attachment 4-inch (EXFE-4000) are non-clog pumps designed for high solids industrial pumping applications. Our patented pump technology outperforms all centrifugal, vortex and positive displacement pumps in a variety of the most difficult pumping applications.

Available in alternative power options and pump sizes depending on your application.

Applications

- Mining
- Chemical
- Sand & Agg
- Oil and Gas
- Paper & Pulp
- Fly Ash & Coal Ash

Features and Benefits

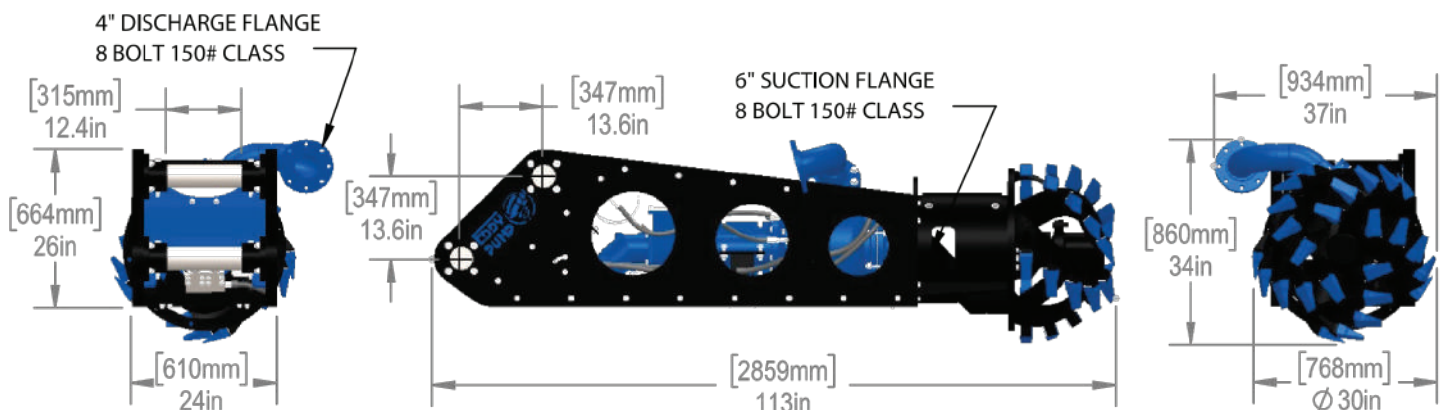
- Non-Clog, High Viscosity, High Specific Gravity, High Abrasives, Low pH Pumping Design
- Transport 40-70% Solids
- Ability to pump objects of up to 4-inch in diameter

Fluid Pumped

- Sludge
- Slurry
- Drilling Mud
- Mine Tailings
- Grit
- Sand Mixtures

| OPTIONAL EQUIPMENT TO ENHANCE OPERATION OF DREDGE |
|---|
| Wireless Doppler Flow Meter |
| RTK/GPS System for precision real-time dredging |

| GENERAL SPECS | | |
|---|-----------|----------|
| Overall Weight (without optional equipment) | 3,300 lbs | 1,496 kg |
| EXFE-4000 Frame, Discharge Elbow and Cutterhead | 1,700 lbs | 771 kg |



We pump up to 70% solids, not water.

VISIT SITE NOW >>

OPTIONAL EQUIPMENT TO ENHANCE OPERATION OF DREDGE

| |
|--|
| Magnetic flow meter |
| Discharge line pressure gauge (0-150 psi) |
| “Quick Prime” Valve (requires small 24 volt air system) |
| Pivot mounted Discharge hose carrier (adaptable to most machines) |
| Recirculation system for pre-mixing applications (requires small 24 volt air system) |



STANDARD CUTTER HEAD



SELF-CLEANING HEAD



WATER JETTING RING



LINER-SAFE WHEELS



EXTENDED CUTTER HEAD



RE-CIRCULATION



AUGER HEAD



MIXER HEADS

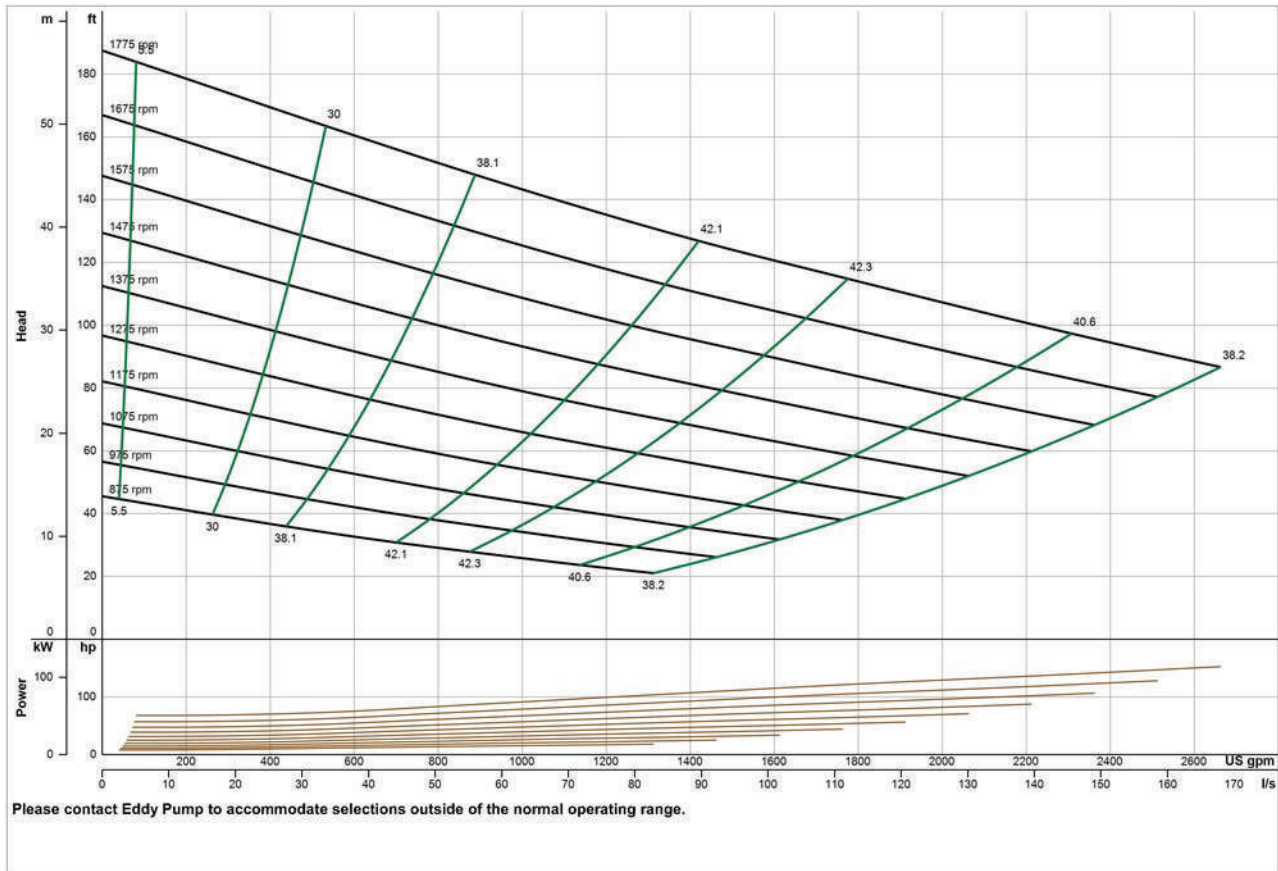
We pump up to 70% solids, not water.

VISIT SITE NOW >>

PUMP CURVE

A pump curve is a graphical representation of a pumps ability to produce flow against a certain head. The science is matching a curve that is accurate for your project, leading to the proper pump selection and best efficiency. **EDDY Pumps** are primarily used for high solids, slurry, sludge, and dewatering.

EDDY Pump - Electric Excavator Pump Attachment 4-inch (EXFE-4000) - Pump Curve



*General pump curve based on water with 1200 RPM motor. Contact us with your specific material for a custom pump curve.

CONTACT US



(619) 258-7020



info@EddyPump.com