

**VISIT SITE NOW >>**

## Electric Excavator Pump Attachment 10-inch (EXFE-10000)

MODEL #	
EXFE-10000	

OPERATING LEVELS	
Min Flow	1200 GPM
Max Flow	5000 GPM
Head Range	Up to 200 ft
Discharge Size	10 inch
Suction Size	12 inch
Solids Handling	Solids up to 9 inch
Max Speed	1800 RPM
Percent Solids	Up to 40-70% Solids
CU YD Material HR	300-350

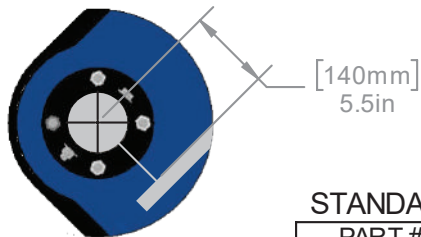
RECOMMENDED SENSORS	
Wireless Doppler Flow Meter	
RTK/GPS System for precision real-time dredging	



\*Typical Deployment Photo. Dredge pumps can be deployed vertically or horizontally. Photos for general guidance. Contact us for further details.

REQUIRED EQUIPMENT TO OPERATE ATTACHMENT
Cutterhead circuit requirements from excavator auxiliary power or from hydraulic power unit 20-25 GPM at 4250 psi
10-inch DAE Slurry hose
Generator and VFD to power a 450-HP motor

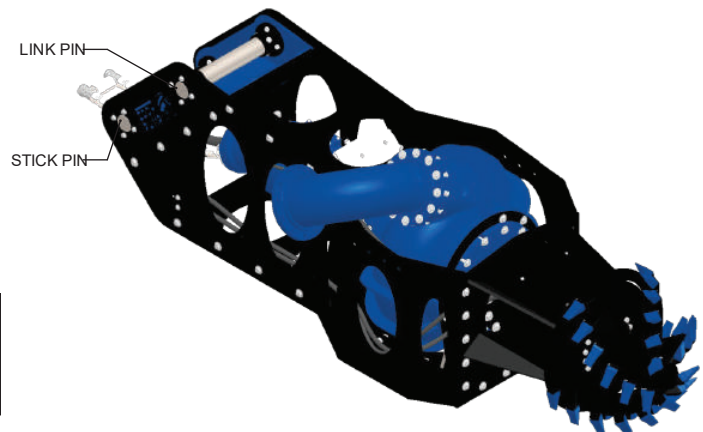
MAXIMUM LINKAGE  
CROSS SECTION



STANDARD PIN SIZING

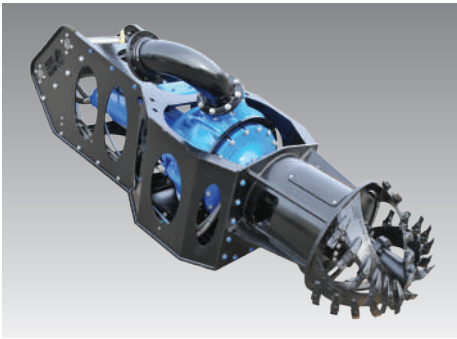
PART #	SIZE
12877	Ø 90 MM
06661	Ø 100 MM
01042	Ø 110 MM

\*CUSTOM SIZES AVAILABLE UPON REQUEST



**We pump up to 70% solids, not water.**

**VISIT SITE NOW >>**



**EDDY Pump Electric Excavator Pump Attachment 10-inch (EXFE-10000)** are non-clog pumps designed for high solids industrial pumping applications. Our patented pump technology outperforms all centrifugal, vortex and positive displacement pumps in a variety of the most difficult pumping applications.

Available in alternative power options and pump sizes depending on your application.

**Applications**

- Mining
- Chemical
- Sand & Agg
- Oil and Gas
- Paper & Pulp
- Fly Ash & Coal Ash

**Features and Benefits**

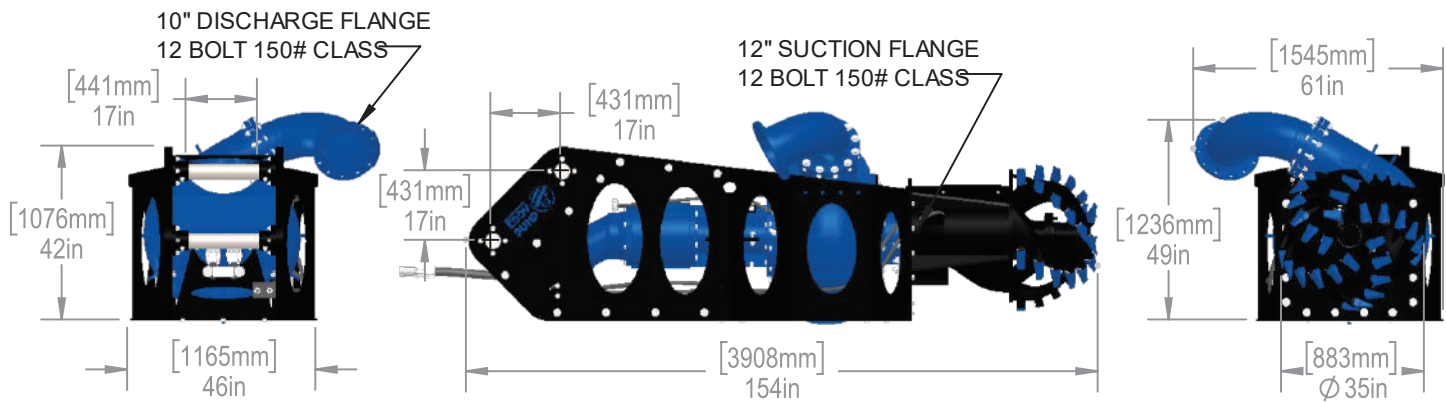
- Non-Clog, High Viscosity, High Specific Gravity, High Abrasives, Low pH Pumping Design
- Transport 40-70% Solids
- Ability to pump objects of up to 10-inch in diameter

**Fluid Pumped**

- Sludge
- Slurry
- Drilling Mud
- Mine Tailings
- Grit
- Sand Mixtures

OPTIONAL EQUIPMENT TO ENHANCE OPERATION OF DREDGE
Wireless Doppler Flow Meter
RTK/GPS System for precision real-time dredging

GENERAL SPECS		
Overall Weight (without optional equipment)	7,500 lbs	3,400 kg



**We pump up to 70% solids, not water.**

**VISIT SITE NOW >>**

**OPTIONAL EQUIPMENT TO ENHANCE OPERATION OF DREDGE**

Magnetic flow meter
Discharge line pressure gauge (0-150 psi)
“Quick Prime” Valve (requires small 24 volt air system)
Pivot mounted Discharge hose carrier (adaptable to most machines)
Recirculation system for pre-mixing applications (requires small 24 volt air system)



STANDARD CUTTER HEAD



SELF-CLEANING HEAD



WATER JETTING RING



LINER-SAFE WHEELS



RE-CIRCULATION



EXTENDED CUTTER HEAD



AUGER HEAD



MIXER HEADS

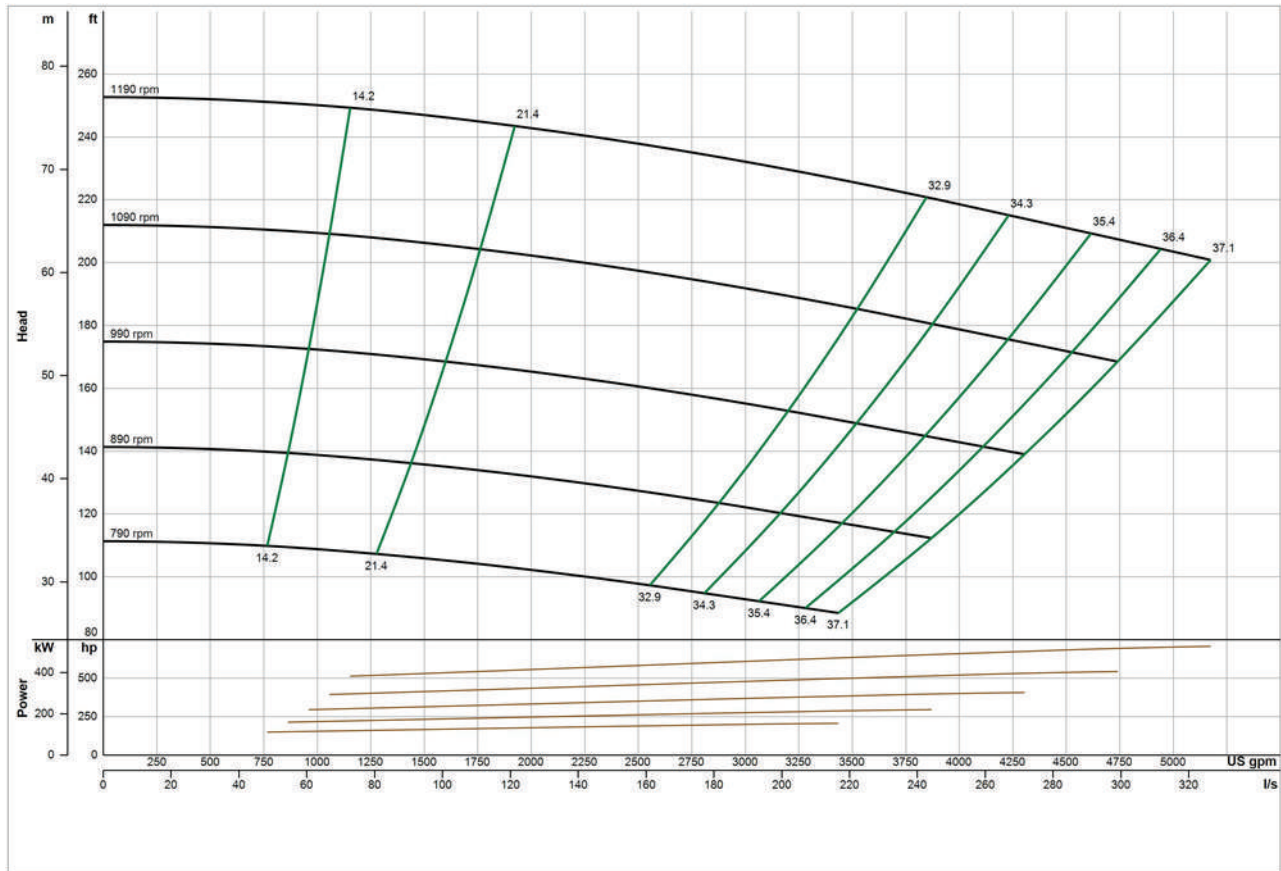
**We pump up to 70% solids, not water.**

**VISIT SITE NOW »**

**PUMP CURVE**

A pump curve is a graphical representation of a pumps ability to produce flow against a certain head. The science is matching a curve that is accurate for your project, leading to the proper pump selection and best efficiency. **EDDY Pumps** are primarily used for high solids, slurry, sludge, and dewatering.

**EDDY Pump - Electric Excavator Pump Attachment 10-inch (EXFE-10000) - Pump Curve**



\*General pump curve based on water with 1200 RPM motor. Contact us with your specific material for a custom pump curve.

**CONTACT US**



**(619) 258-7020**



**info@EddyPump.com**